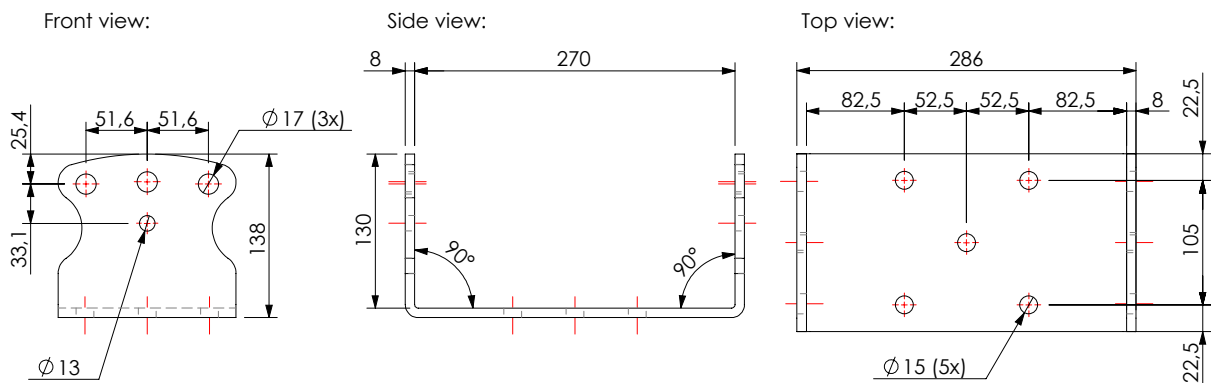


LVBD PLATE

Code 001516

Stainless steel double connection device, enabling the lifeline to be fitted on both pitches of the roof. Base size 285x150x8 mm with 4 fixing holes.



Material	AISI 304 Stainless Steel
Dimensions (mm)	138 x 286 x 150
Weight (kg)	4,71
CN code	73269098
EAN code	8055773300736

STANDARDS



	A	C
UNI EN 795:2012	1	1
UNI 11578:2015	-	4
CEN/TS 16415:2013	2	4

LENGTH	min 4 max 60
SPAN	min 4 max 12

Discover the product line:

