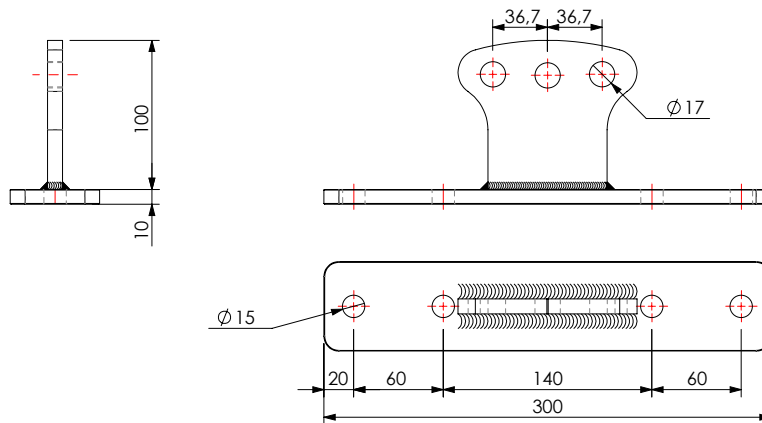


SS SZS PLATE

Code 000268

Stainless steel plate with base size 300x60x10 mm and 4 bores 15 mm for fixing. Ideal for lifelines on the reinforced concrete roof curbs of prefabricated elements.



Material	AISI 304 Stainless Steel
Dimensions (mm)	110 x 300 x 60
Weight (kg)	2,05
CN code	73269098
EAN code	8055773300910

STANDARDS



	A	C
UNI EN 795:2012	1	1
UNI 11578:2015	1	4
CEN/TS 16415:2013	2	4

LENGTH	min 5 max 120
SPAN	min 5 max 20

Discover the product line:

