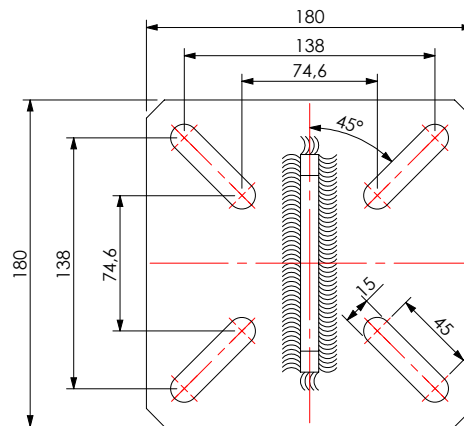
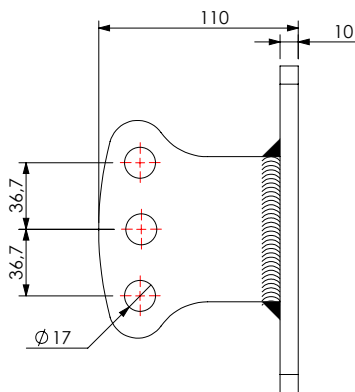


## SS SZP

Code 000262

Plate made in stainless steel. Base size 180x180x10 mm with 4 60 mm slots for fixing. Ideal for lifelines on the reinforced concrete walls.



<b>Material</b>	AISI 304 Stainless Steel
<b>Dimensions (mm)</b>	110 x 180 x 180
<b>Weight (kg)</b>	2,98
<b>CN code</b>	73269098
<b>EAN code</b>	8055773300897

### STANDARDS



	<b>A</b>	<b>C</b>
UNI EN 795:2012	1	1
UNI 11578:2015	1	4
CEN/TS 16415:2013	2	4

<b>LENGTH</b>	min 5 max 120
<b>SPAN</b>	min 5 max 20

Discover the product line:

