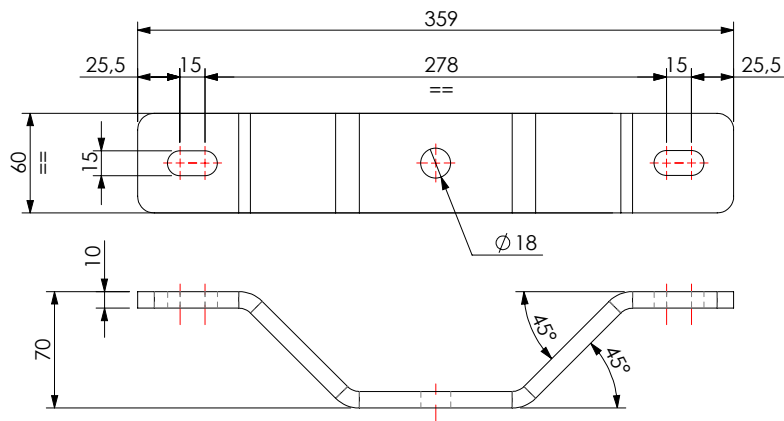


## PZFS PLATE

Code 000233

Stainless steel wall-mounted plate with size 300x60x10 mm and two slots for fixing. Used to fix the intermediate accessory. Ideal for lifelines on prefabricated reinforced concrete roof curbs.



<b>Material</b>	AISI 304 Stainless Steel
<b>Dimensions (mm)</b>	70 x 359 x 60
<b>Weight (kg)</b>	1,86
<b>CN code</b>	73269098
<b>EAN code</b>	8055773300965

### STANDARDS



UNI EN 795:2012  
 UNI 11578:2015  
 CEN/TS 16415:2013

	A	C
UNI EN 795:2012	1	1
UNI 11578:2015	1	4
CEN/TS 16415:2013	2	4

<b>LENGTH</b>	min 5 max 120
<b>SPAN</b>	min 5 max 20

Discover the product line:

