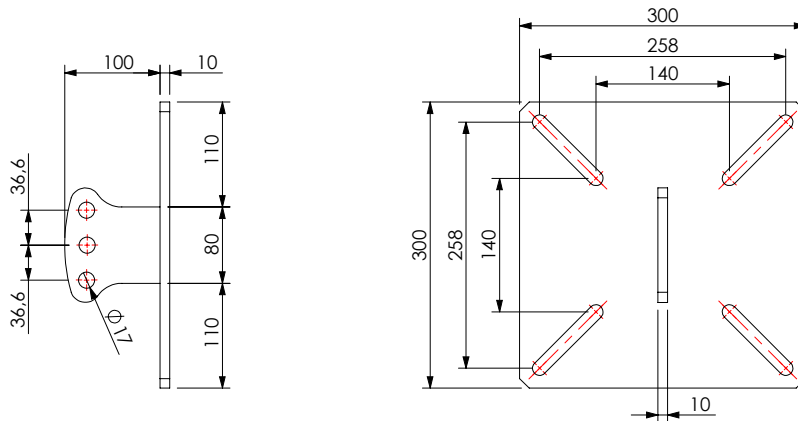
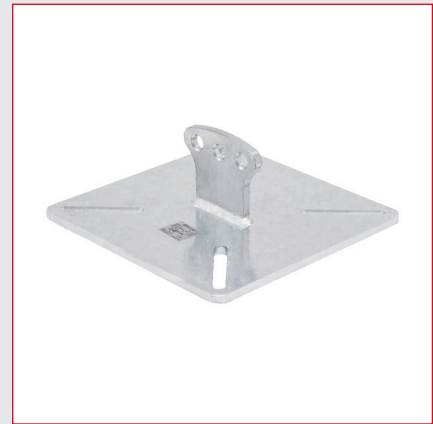


GALVANISED SZG PLATE BASE 300X300

Code 000037

Hot-dip galvanized steel SZG plate. Base 300x300x10 mm with 4 elongate slots (100 mm) for fixing. Ideal for masonry walls 20 cm thick.



Material	Hot-dip galvanized S235
Dimensions (mm)	110 x 300 x 300
Weight (kg)	8,54
CN code	73269098
EAN code	8055773300866

STANDARDS



	A	C
UNI EN 795:2012	1	1
UNI 11578:2015	1	4
CEN/TS 16415:2013	2	4

LENGTH	min 5 max 120
SPAN	min 5 max 20

Discover the product line:

