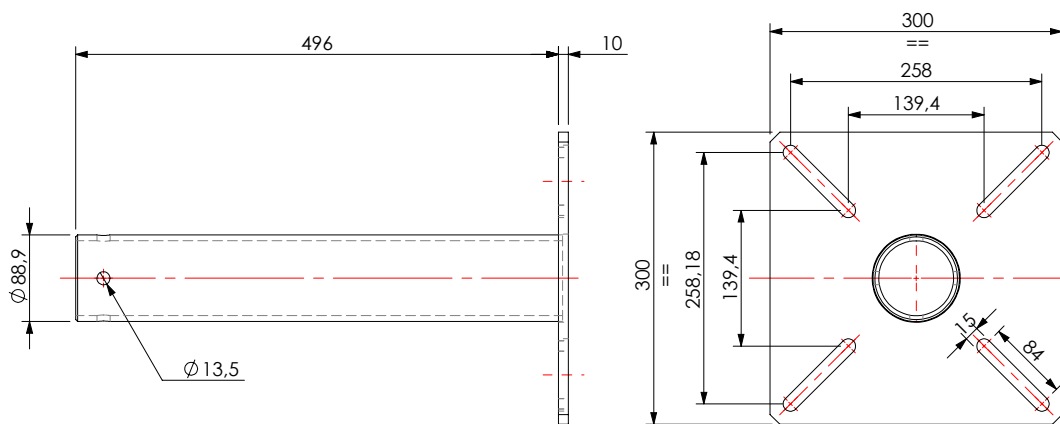


## PZP POLE H50

Code 000036

H50cm anchor device certified for EN 795 and CEN/TS 16415 type A and C. Hot dip galvanized steel. Flat fixing base 30cm x 30cm with 4 slots for a maximum comfort during installation



<b>Material</b>	Hot-dip galvanized S235
<b>Dimensions (mm)</b>	506 x 300 x 300
<b>Weight (kg)</b>	14,35
<b>CN code</b>	73269098
<b>EAN code</b>	8055773300743

### STANDARDS



	<b>A</b>	<b>C</b>
UNI EN 795:2012	1	1
UNI 11578:2015	-	4
CEN/TS 16415:2013	2	4

<b>LENGTH</b>	min 5 max 120
<b>SPAN</b>	min 5 max 20

Discover the product line:

